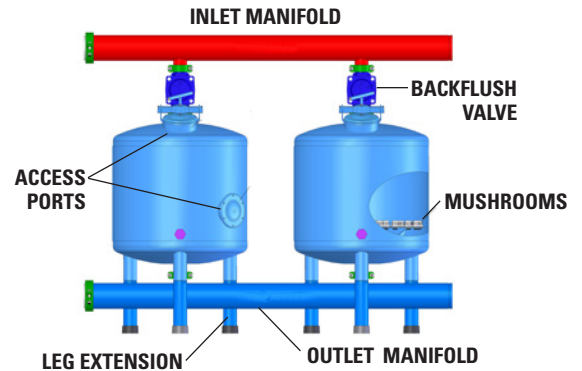


DOUBLE CHAMBER EPOXY COATED STEEL MEDIA FILTER



APPLICATIONS

- Excellent for high pressure applications
- Primary filter for water from open reservoirs and recycled water
- Filtration of water contaminated with algae and other organic materials

PRODUCT ADVANTAGES

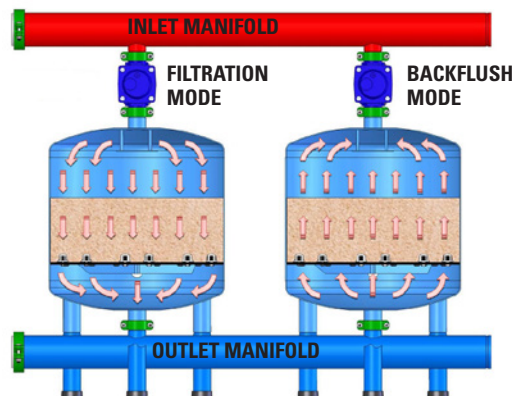
- Double chambered filter allows for efficient filtration and backflush uniformity.
- Multiple mushrooms provide four times more open flow area ensuring uniform water collection and backflush.
- Each mushroom produces equal pressure during backflushing cleaning the entire sand media bed.
- Modular manifolds make installation and expansion easy.
- Rust and maintenance free system.

SPECIFICATIONS

- Maximum Operating Pressure: 120 psi
- Backflushing Flow Rate:
 - 16" Filter Battery - 44 GPM
 - 20" Filter Battery - 75 GPM
 - 24" Filter Battery - 110 GPM
 - 30" Filter Battery - 163 GPM
 - 36" Filter Battery - 233 GPM
 - 48" Filter Battery - 422 GPM
- 6" Diameter Access Ports:
 - Tank Dome with tightening handle
 - Tank Body secured by bolts

DESCRIPTION OF OPERATION

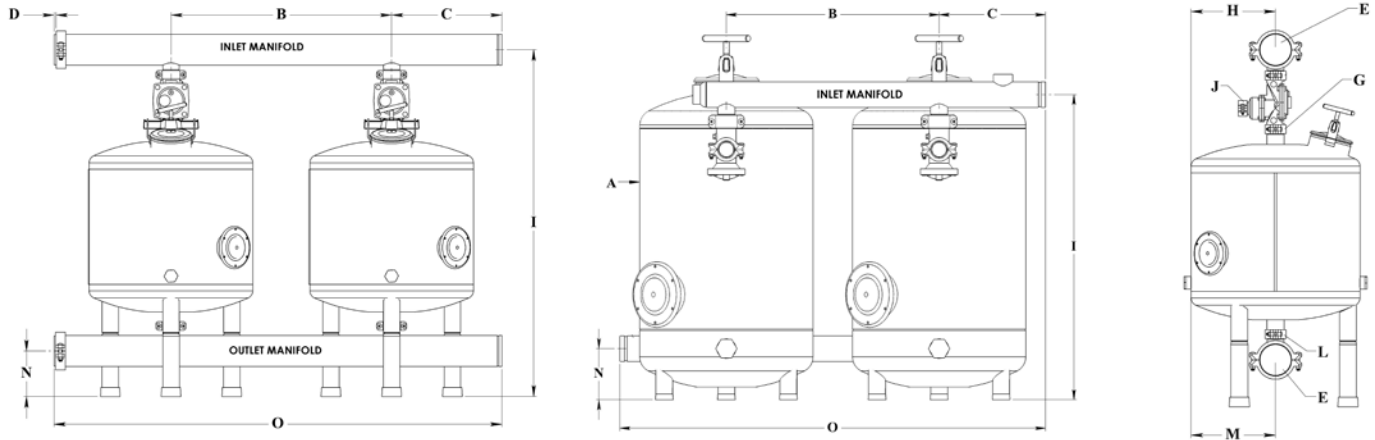
Water enters the filter via the inlet and spreads equally on the media. Solids and organic materials are trapped within the media. The clean water passes through the media and flows out via the nozzles. The backflush cleaning process is done by shutting the inlet of the filter with the 3-way backflush valve and allowing the water to enter from the bottom, lifting the media and releasing the solids that exit the filter through the outlet manifold. This process can be controlled automatically.



MATERIALS

- Filter Body: Epoxy Coated Carbon Steel
- Underdrain Elements: PVC tube with mushroom diffusers

DOUBLE CHAMBER EPOXY COATED STEEL MEDIA FILTER



TWO TANK SYSTEM SPECIFICATIONS

KEY	DESCRIPTION	16"	20"	24"	30"	36"	48"
A	TANK DIAMETER	16"	20"	24"	30"	36"	48"
B	DISTANCE BETWEEN TANKS	19.6"	23.6"	29.53"	39.37"	47.24"	51.90"
C	DISTANCE TO MANIFOLD END	9.8"	11.8"	14.76"	19.68"	23.62"	25.95"
D	END CAP LENGTH	0.78"	0.78"	0.78"	0.78"	0.78"	0.86"
E	INLET/OUTLET MANIFOLD	4"	4"	4"	4"	6"	8"
G	INLET PORT FITTING	2" FPT	2" FPT	2" FPT	3" GR	3" GR	4" GR
H	INLET MANIFOLD LOCATION	13.18"	14.17"	16.77"	15"	18"	24"
I	INLET MANIFOLD HEIGHT	40.15"	42.24"	42.26"	69.61"	74.13"	78.67"
J	BACKFLUSH PORT FITTING	2" FPT	2" FPT	2" FPT	2" FPT	2" FPT	4" GR
L	OUTLET PORT SIZE	2" GR	2" GR	2" GR	3" GR	3" GR	4" GR
M	OUTLET MANIFOLD LOCATION	13.61"	15.32"	17.68"	15"	18"	24"
N	OUTLET MANIFOLD HEIGHT	7.09"	7.09"	7.09"	7.45"	9.72"	9.95"
O	TOTAL LENGTH	39.2"	47.2"	59.06"	78.74"	94.48"	103.8"
P	TOTAL WEIGHT (LBS.)	310	370	490	720	900	1,440

GR = Groove FL = Flange

FLOW RANGE (GPM)

# FILTERS/SIZE	FLOW RANGE (GPM)
2 - 16"	42 - 80
2 - 20"	70 - 130
3 - 20"	105 - 200
2 - 24"	105 - 200
3 - 24"	160 - 300
2 - 30"	155 - 290
3 - 30"	230 - 435
2 - 36"	220 - 415
3 - 36"	335 - 625
2 - 48"	400 - 750
3 - 48"	600 - 1,120
4 - 48"	800 - 1,500
5 - 48"	1,000 - 1,870
6 - 48"	1,200 - 2,245
8 - 48"	1,600 - 2,990

ORDERING INFORMATION

MODEL NUMBER	# FILTERS/SIZE
72MFDBS1602	2 - 16"
72MFDBS2002	2 - 20"
72MFDBS2003	3 - 20"
72MFDBS2402	2 - 24"
72MFDBS2403	3 - 24"
72MFDBS3002	2 - 30"
72MFDBS3003	3 - 30"
72MFDBS3602	2 - 36"
72MFDBS3603	3 - 36"
72MFDBS4802	2 - 48"
72MFDBS4803	3 - 48"
72MFDBS4804	4 - 48"
72MFDBT4804	4 - 48" TEE
72MFDBT4805	5 - 48" TEE
72MFDBT4806	6 - 48" TEE
72MFDBT4808	8 - 48" TEE

SPECIFICATIONS

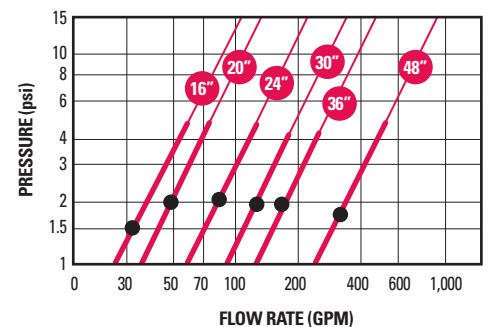
TANK SIZE	FILTRATION AREA	MEDIA REQUIRED	TANK WEIGHT
16"	1.40 SQ. FT.	170 LBS.	105 LBS.
20"	2.15 SQ. FT.	250 LBS.	135 LBS.
24"	3.14 SQ. FT.	360 LBS.	195 LBS.
30"	4.90 SQ. FT.	500 LBS.	275 LBS.
36"	7.00 SQ. FT.	800 LBS.	365 LBS.
48"	12.50 SQ. FT.	1,200 LBS.	551 LBS.

MEDIA REQUIRED refers to Crushed Silica Sand

ORDERING - TANK ONLY

MODEL NUMBER	TANK SIZE
72MFD16	16"
72MFD20	20"
72MFD24	24"
72MFD30GR	30"
72MFD36GR	36"
72MFD48GR	48"

HEADLOSS (FLOW VS. PRESSURE)



● AVERAGE POINT - HEADLOSS / FLOW RATE



NETAFIM USA
 5470 E. HOME AVE.
 FRESNO, CA 93727
 CS 888 638 2346
 www.netafimusa.com