

Installing Sub-Mains and Making Connections

Connecting to Manifolds

- Soft manifolds
 - Oval Tube
 - Lay Flat
- Rigid Manifolds
 - Aluminum
 - PVC
 - HDPE



Riser Line Options

STOCK CODE	STOCK CODE	DESCRIPTION	USED WITH TWD
14052062	40510-000003	PE 520 050 1000FT	0.636" ID
14070082	40510-000171	PE 700 063 1000FT	0.875" ID
14082094	40510-000018	PE 820 060 500FT	0.990" ID
14082010	40510-000563	PE 820 090 500FT	1.125" ID

Splicing Methods

Fitting Selections

- Netafim Ring Lock
- Netafim Twist Lock



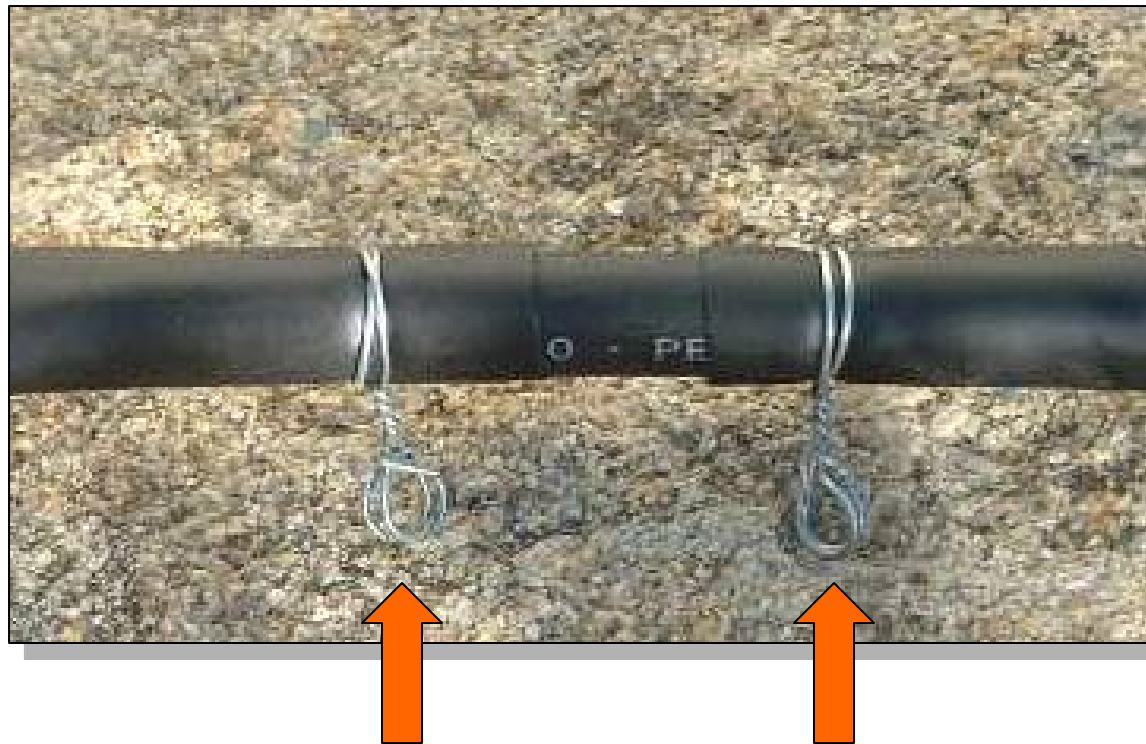
Netafim Ring Lock - cost effective for surface applications



Netafim Twist Lock - subsurface applications

Splicing Methods

PE tubing and wire ties



Splicing Methods

Field Welding Unit



Retrieving and Splicing TYP 875 015



Melting the splice



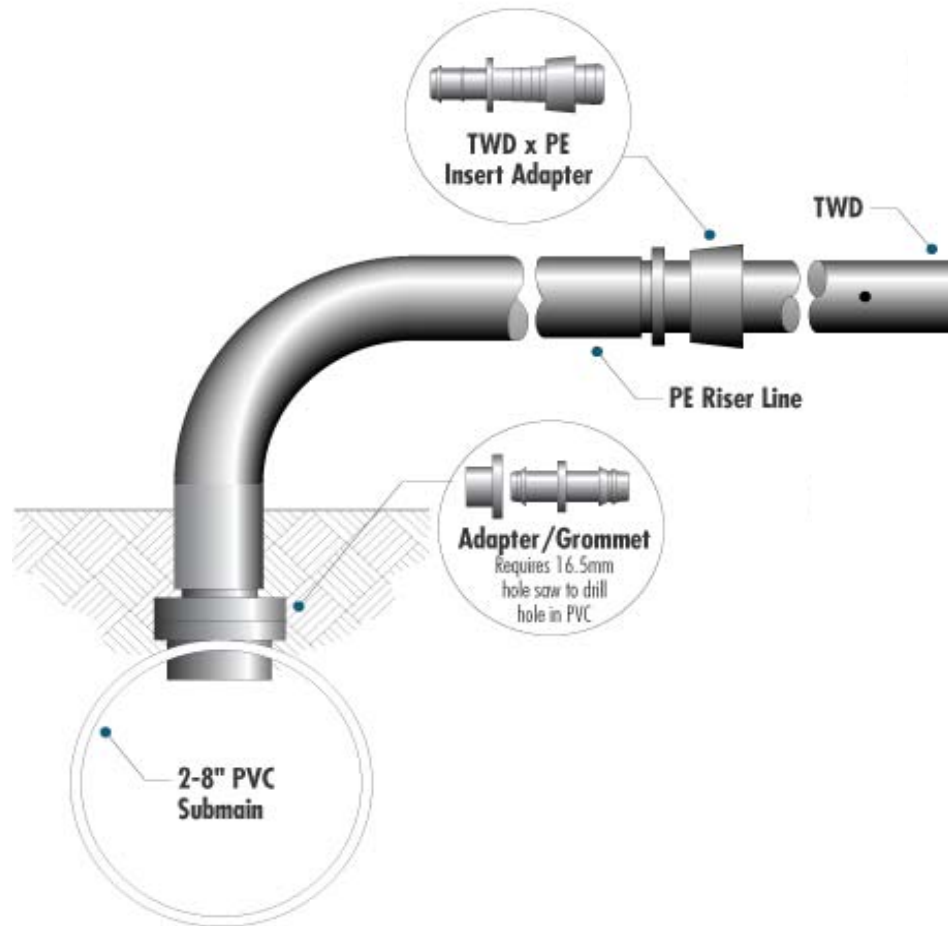
Welding the splice



The splice

Submain to TWD Connections

2" to 8" PVC submains to TWD



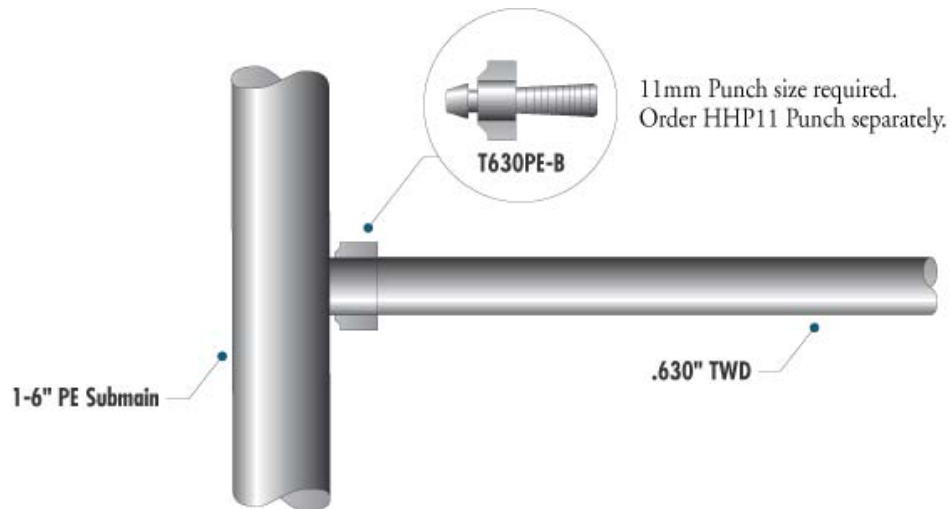
Sub-main feeding one direction



Riser on PVC submain

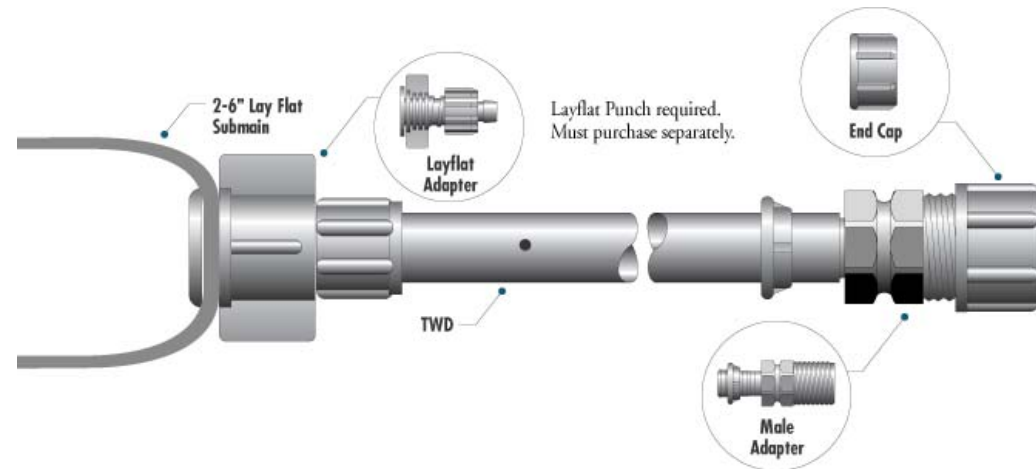
Submain to TWD Connections

Oval Tube to TWD



Submain to TWD Connections

Oval Tube to TWD
LayFlat to TWD



Lay Flat fittings -
LYFSTRCONBRB16 and 22mm



Lay Flat Installation machine

End Closing Methods

Using TWD sleeves

Using PE sleeve

TWD Series	TWD Mil	PE Tubing
630	4, 6, & 8 mil	14052062
630	10 & 13 mil	14072083
875	6 & 8 mil	14072084
875	10 mil	14082093
875	13 mil	14082093
990	13 mil	14082093

TWD sleeves



TWD sleeves



PE sleeves

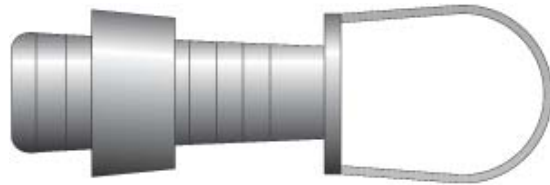


PE sleeves



End Closing Methods

Using Netafim Ring Lock Fittings



T630END



T630MA075

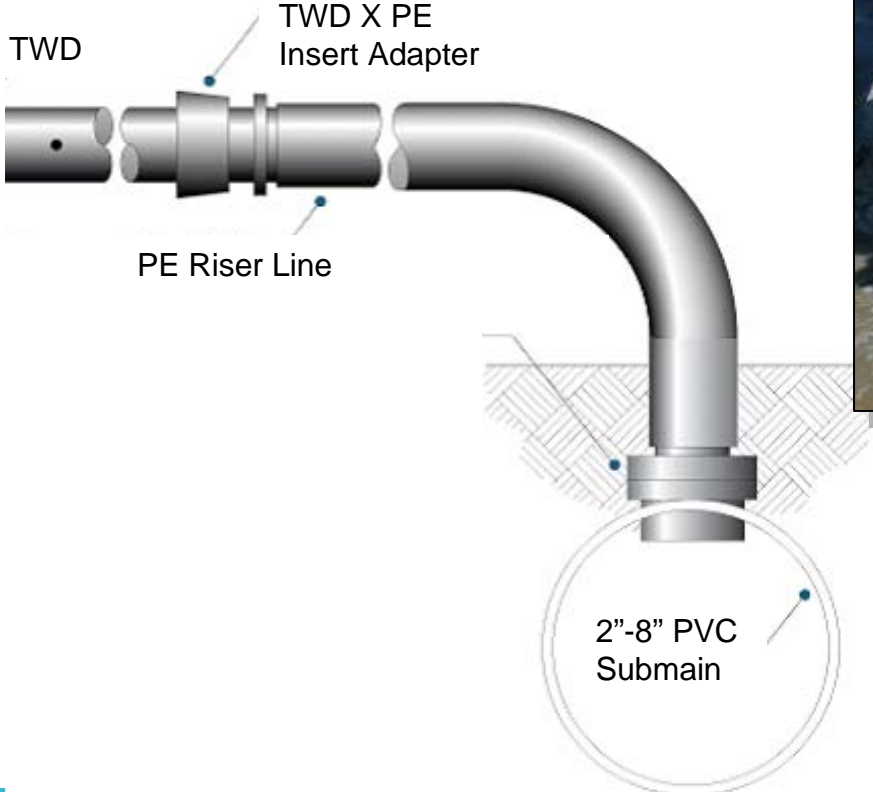
TCAP075



Individual lateral flush

End Closing Methods

Using flushing manifolds



Opening flush manifold on Ram HWD system in Eastern California

Removal of TWD

For disposal

- Equipment
- Techniques

Retrieving
TWD and
lifting
onions with
a Rod-
Weeder



Tightly packaged of spent
TWD ready for pickup



Removes
drip hose
from 2"-12"
deep



Removal of TWD

Lift and retrieve from roadway



Removal of TWD

For reuse

- Equipment
- Techniques



Retrieval head interchangeable with cone shaped reel for disposing and retrieval and reuse.

Self contained retrieval unit running retrieval heads while trailer holds empty and full reels.



Retrieval machine attached to front of trailer in first picture.



Retrieving .875" TWD from lettuce field.



Removal of TWD

For reuse

