

NYLON AND PVC VALVES

SIMPLE, RELIABLE DESIGN IS HIGHLY RESISTANT TO FERTILIZERS AND CHEMICALS



MANUAL NYLON THREADED VALVE



PRESSURE REDUCING ELECTRIC NYLON THREADED VALVE



MANUAL PVC SLIP VALVE



PRESSURE REDUCING PVC THREADED VALVE

PRODUCT ADVANTAGES

- Superb hydraulic performance.
- Simple design with only one moving component, the diaphragm, means parts are not located in the water passage way.
- Low operating pressure.
- Simple inline installation with minimal maintenance requirements for maximum dependability.
- Durable, corrosion-resistant materials provide high resistance to corrosive water containing fertilizers and chemicals.
- Nylon valves have threaded connections.
- PVC valves have threaded or socket (slip) connections allowing pipes to be cemented into the valves.

APPLICATIONS

- Ideal for water control in PVC networks
- Agriculture or Greenhouse and Nursery applications
- Surface or subsurface installations
- Portable systems

SPECIFICATIONS

- Recommended Operating Pressure (psi):
Nylon - 15 minimum to 145 maximum
PVC - 7 minimum to 145 maximum
(based on valve size - see chart on back)
- Maximum Water Temperature: 140° F
- Optional Functions:
Manual, Electric, Pressure Reducing, Pressure Sustaining or Remote Control and more functions

MATERIALS

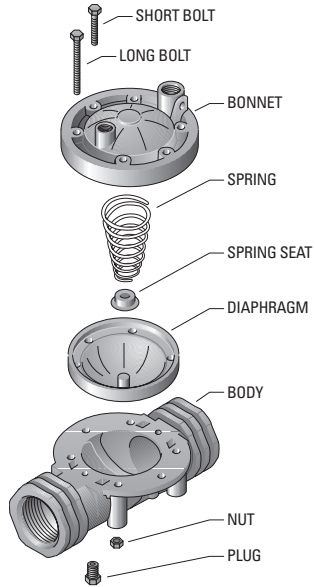
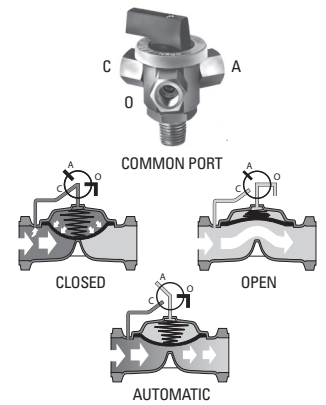
- Nylon Valve Body, Bonnet, Seat: Glass Reinforced Polyamide (GRP)
- PVC Valve Body: uPVC
- Spring: Stainless Steel (AISI 302)
- Nuts, Bolts, Washers: Zinc Coated Steel (BS 5216)
- Diaphragm: Natural Rubber
- Connections:
Threaded - ANSI (NPT Female)
Socket - IPS, PVC Standard

AVAILABLE MODELS & SIZES				
MATERIAL	NYLON		PVC	
CONNECTION	THREADED	THREADED	SLIP	
SIZES	1"	X	-	-
	1 ½"	X	-	-
	2"	X	-	-
	323	X	-	-
	3"	-	X	X
	4"	-	-	X
	6"	-	-	X

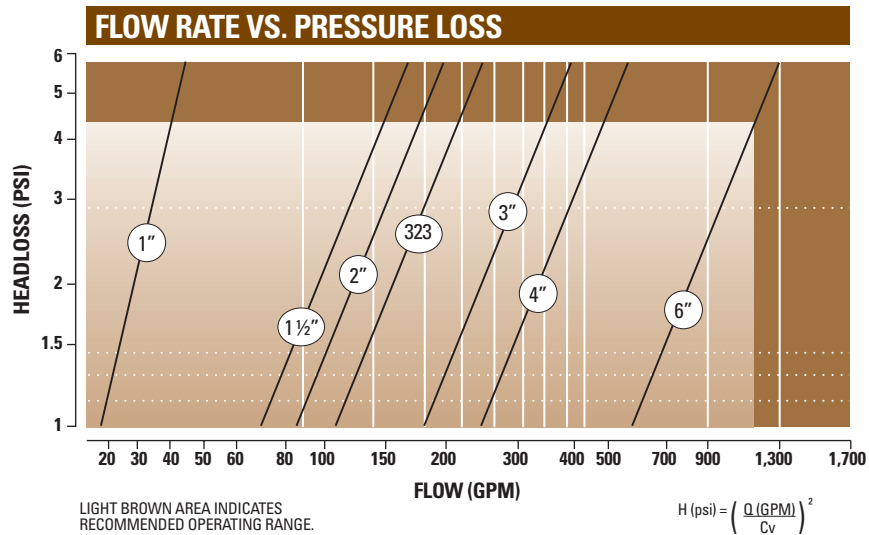
NYLON AND PVC VALVES

MANUAL VALVE OPERATION WITH A 3-WAY SELECTOR

- **CLOSED (C):** Upstream pressure or pressure from an external source is applied to the control chamber. Initiated by the spring, the diaphragm is pressed down to close the valve drip-tight.
- **OPEN (O):** Relieving the water or air pressure to the atmosphere from the control chamber causes the valve to open.
- **AUTOMATIC (A):** The automatic port of the 3-Way selector is connected to a solenoid, hydraulic relay or pilot which controls the valve. The common port of the 3-Way selector connects the control chamber to either A, O or C, depending on the direction the selector is pointed.



NYLON VALVE SHOWN



DIMENSIONS & WEIGHT

SIZE/CONNECTION	LENGTH	HEIGHT	WEIGHT *
1" NYLON THREADED	4 7/8"	2 7/8"	0.4 LBS.
1 1/2" NYLON THREADED	7 3/8"	4 3/8"	2.0 LBS.
2" NYLON THREADED	7 7/8"	4 3/8"	2.2 LBS.
323 NYLON THREADED	9 1/4"	4 3/4"	3.1 LBS.
3" PVC THREADED	10 1/8"	7 5/8"	9.3 LBS.
3" PVC SLIP	10 1/8"	7 5/8"	9.3 LBS.
4" PVC SLIP	11"	8"	9.5 LBS.
6" PVC SLIP	14"	15"	20 LBS.

* Weight for Basic Valve

SPECIFICATIONS

SIZE	MAX. FLOW (GPM)	C _v	OPERATING PRESSURE (psi) *
1"	44	18	15 - 115
1 1/2"	110	66	22 - 145
2"	176	83	22 - 145
323	264	93	22 - 145
3"	400	175	9 - 115
4"	700	250	9 - 115
6"	1,540	554	7 - 145

* Low Pressure Diaphragms also available

VALVE INSTALLATION TIPS

- **THREADED VALVES:** Use a few layers of Teflon sealer compound on the adapter and tighten by hand. Use a wrench to tighten the adapter another half revolution.
- **SOCKET OR 'SLIP' VALVE WITH PVC PIPE:** Use the same procedure as when cementing PVC pipes. Mark the pipe first, then apply glue to the socket of the valve and the PVC pipe. Insert the pipe until reaching the mark and rotate a quarter turn. Hold the joint in place until the cement hardens.
- **INSTALLATION ABOVE GROUND:** When installing a manifold above ground, the length of the manifold should be kept as short as possible (this eliminates the need for additional support). For longer lengths, a firm support under the horizontal pipes is recommended. Always install the valve with the bonnet exposed to the sun.



NETAFIM USA
5470 E. HOME AVE.
FRESNO, CA 93727
CS 888 638 2346

www.netafimusa.com